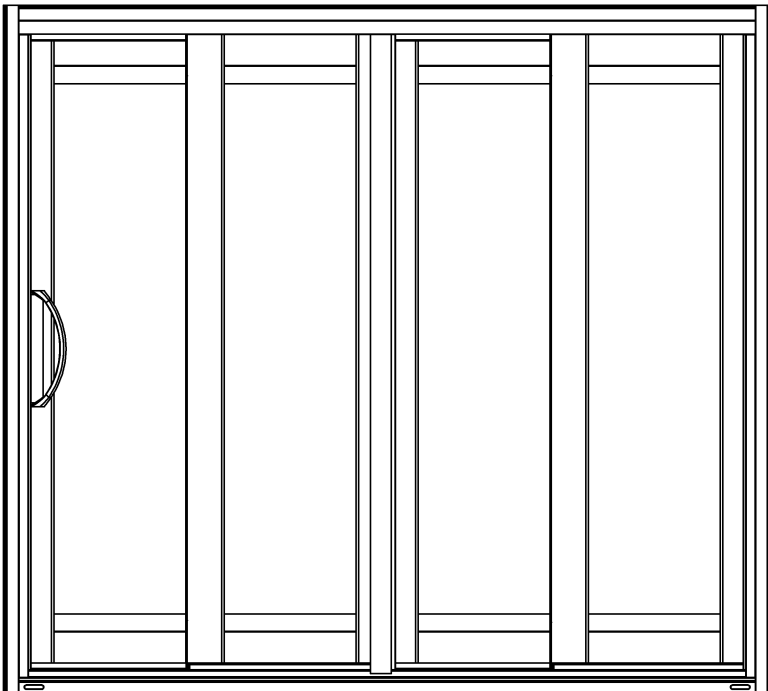
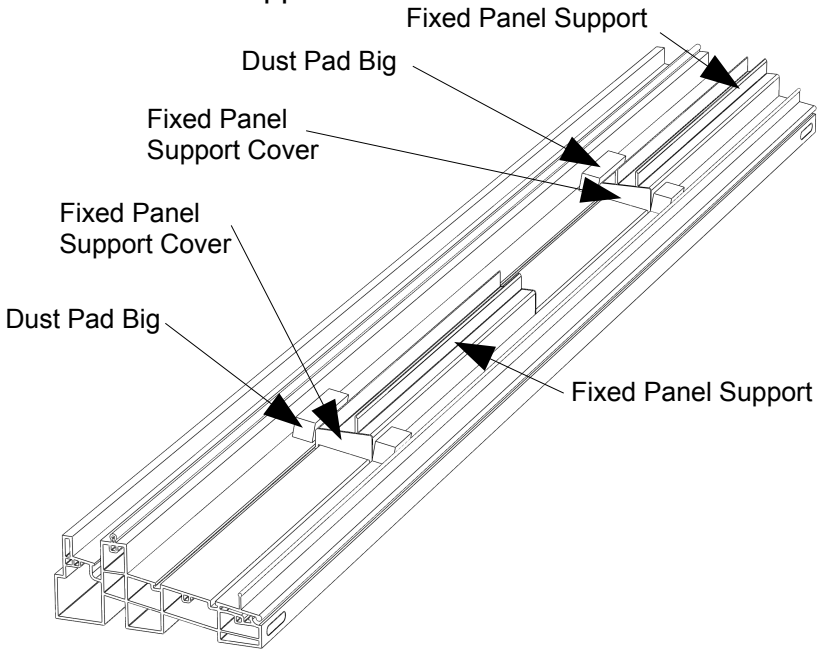




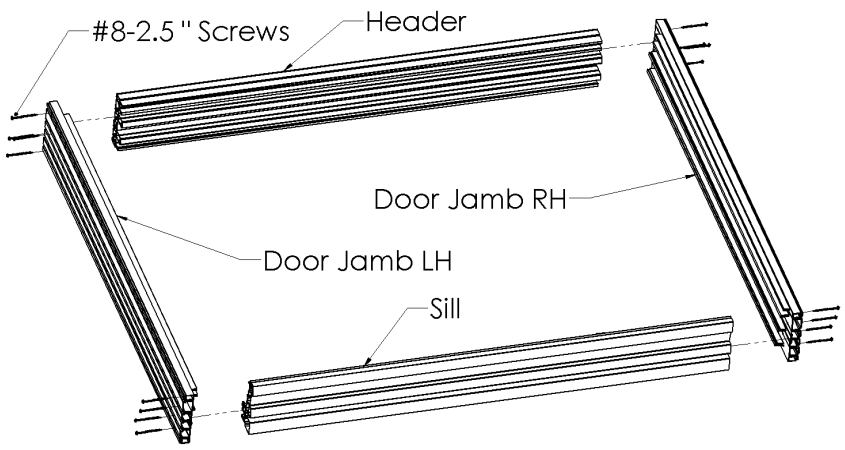
Assembly Instructions for Four Panel Patio Doors
with end operating panel
X000 / O00X
Pacific series 1000 and Atlantic series 5000



Assemble fixed support to sill

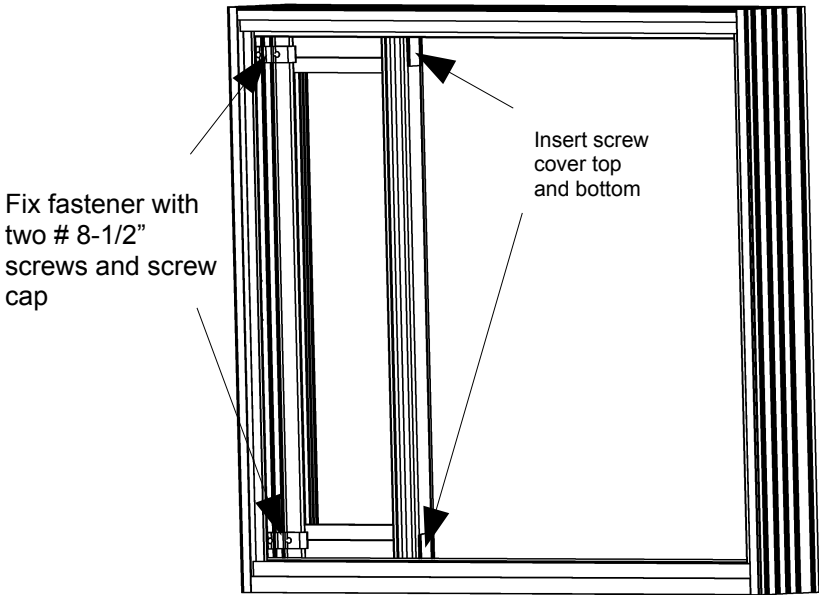


Assemble door frame



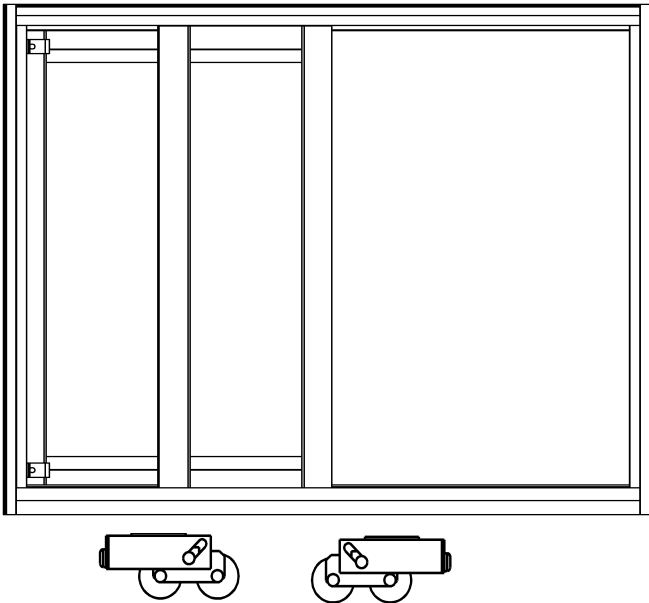
Assemble first fixed panel

Insert first fixed panel into door frame.

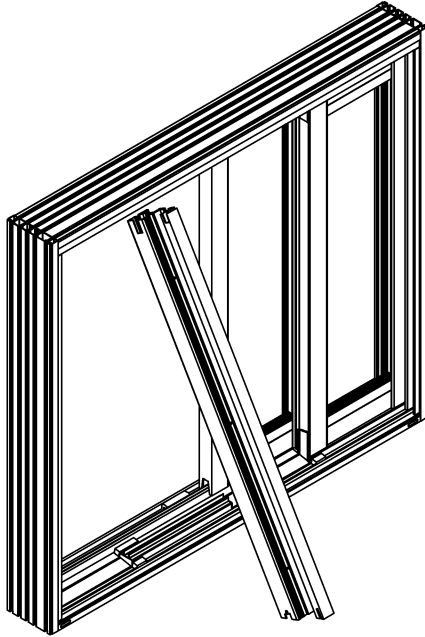


Assemble second fixed panel

Insert second panel on operating track after fixing rollers at the bottom of the panel.

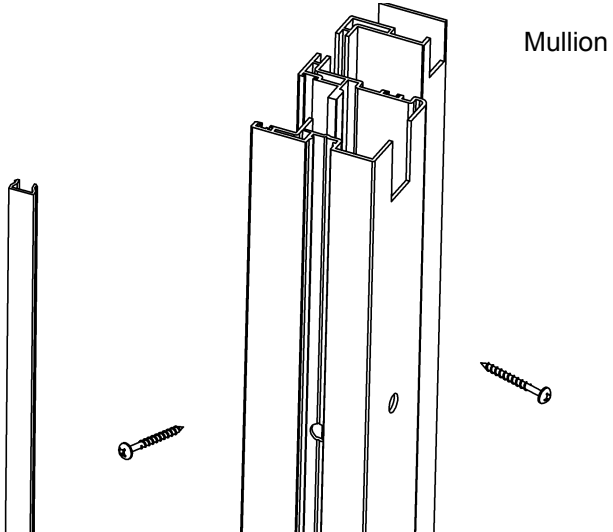


Assemble Mullion

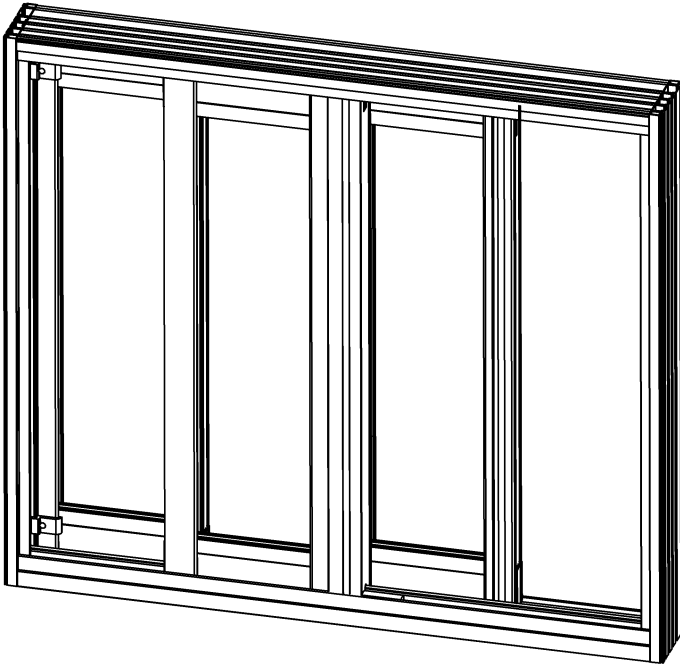


Secure second and third fixed panels with # 8- 1" screws as shown.
Cover screws with mullion cover.

Mullion
cover

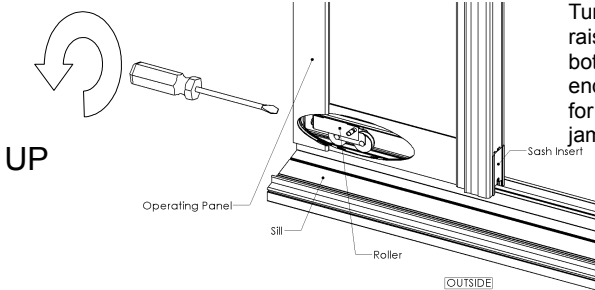


Assemble third fixed panel



Assemble End Operating Panel

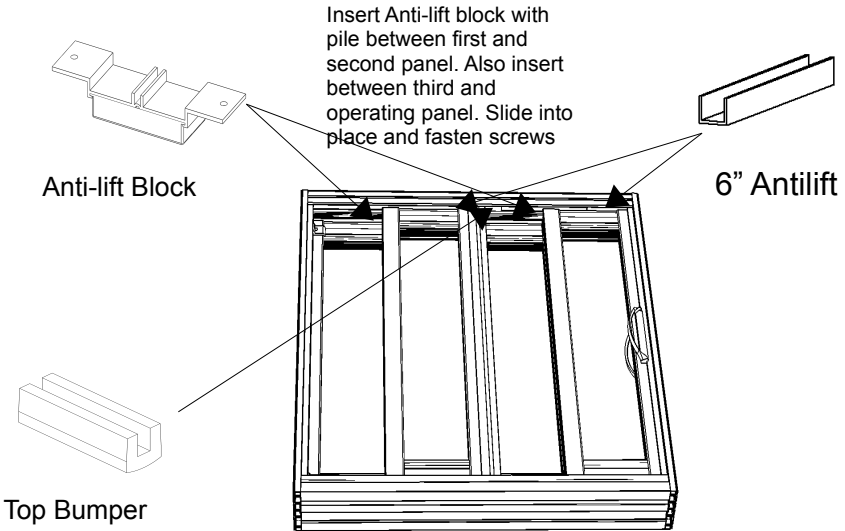
Assemble the two rollers to operating panel with #8-1/2" screws. Lift and



Turn screws clockwise to raise. Adjust screws on both the rollers from either end to raise panel. Check for uniformity with door jamb.

Insert panel on the operating track. Adjust height of the panel as shown. Also adjust height of rollers on second fixed panel.

Assemble anti-lift



Note: This assembly instruction is a basic guide for qualified and experienced installers with knowledge in securely anchoring the door to the building structure. For installations in exposed areas and buildings exceeding two storeys, the anchoring requirements must be determined by a structural engineer.

Need Help?

Contact our Technical department during normal working hours:

Phone: (416) 741-2600

Fax: (416) 741-2601

Website: www.oceanviewdoors.ca