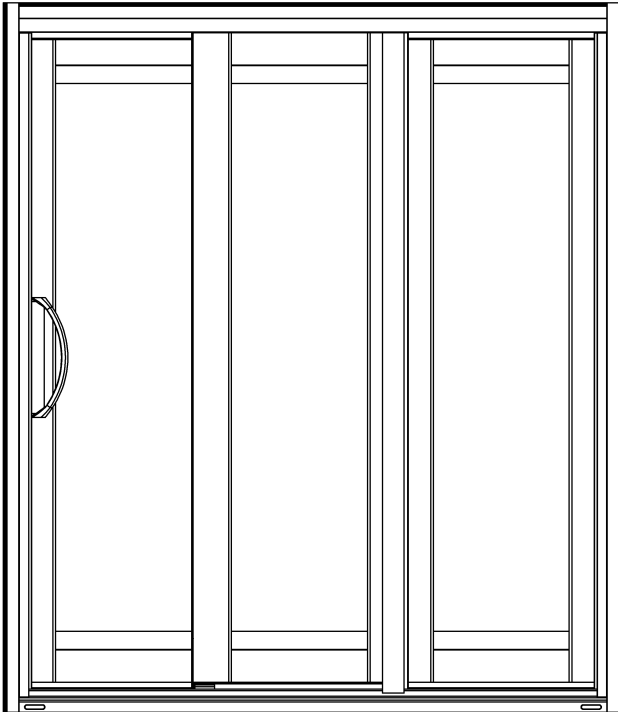
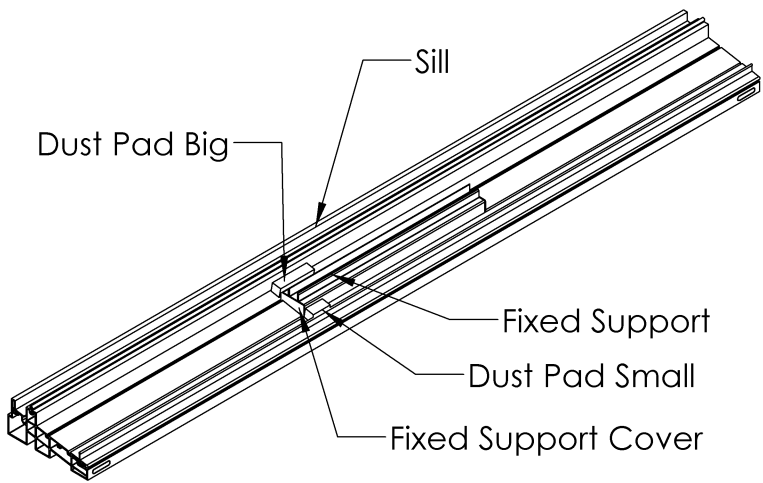




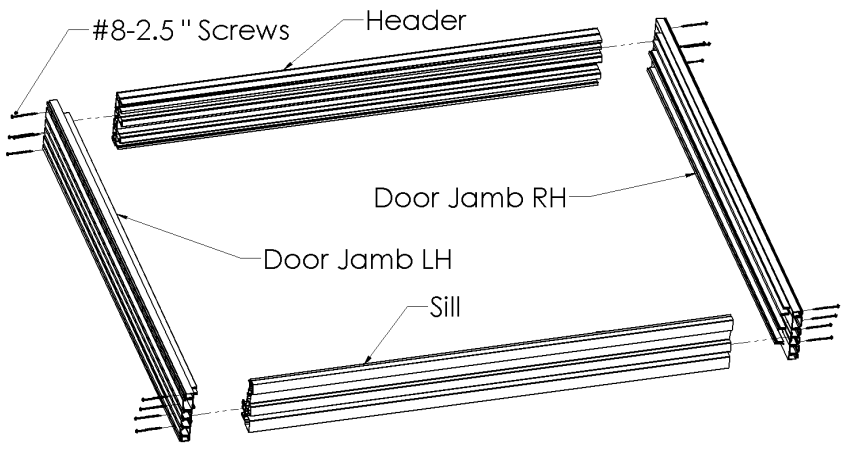
Assembly Instructions for Three Panel Patio Doors
with end operating panel
XOO / OOX
Pacific series 1000 and Atlantic series 5000



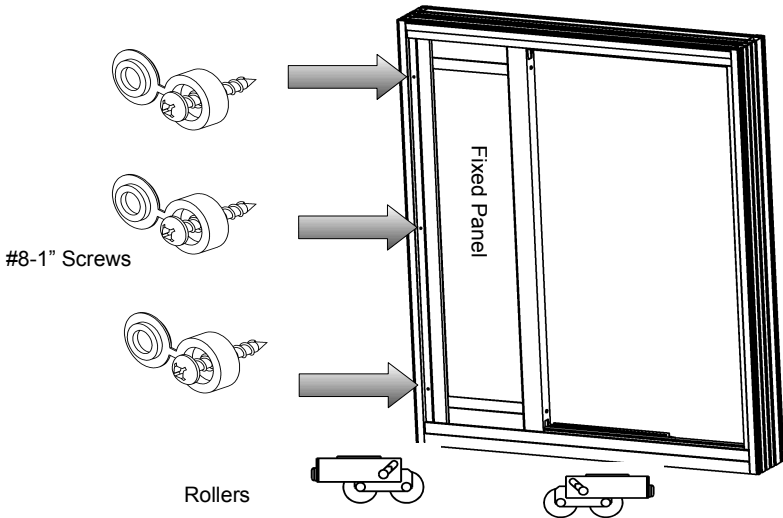
Assemble fixed support to sill



Assemble door frame

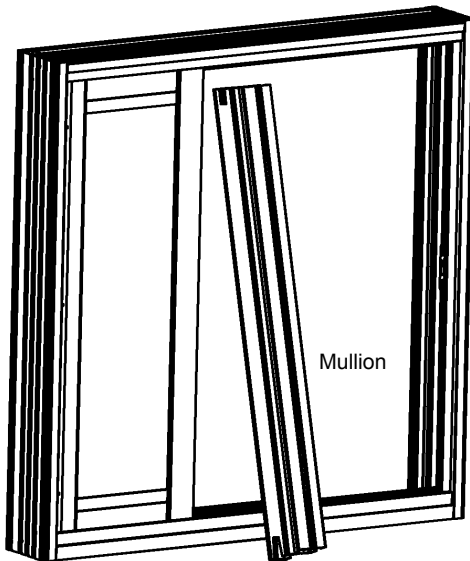


Assemble first fixed panel



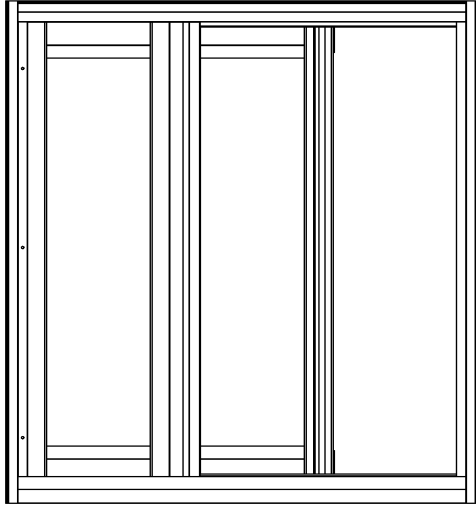
Assemble rollers on fixed panel with 2 #8 1/2" screws. Insert fixed panel into door frame. Adjust rollers (see roller adjustment). Fasten to door jamb with 3 # 8 – 1" screws.

Insert mullion into door frame.

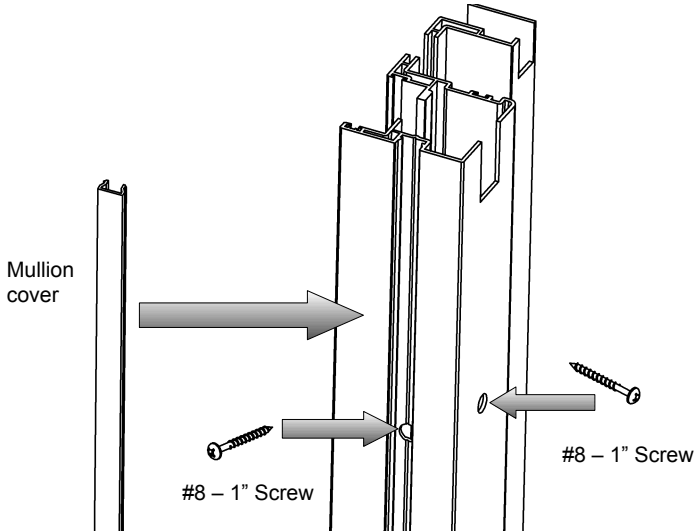


Assemble centre fixed panel

Insert centre fixed panel on fixed panel support. Slide into mullion.

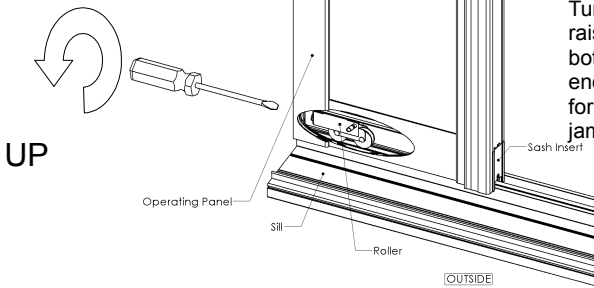


Secure both the fixed panels with screws as shown. Cover screws with mullion cover.



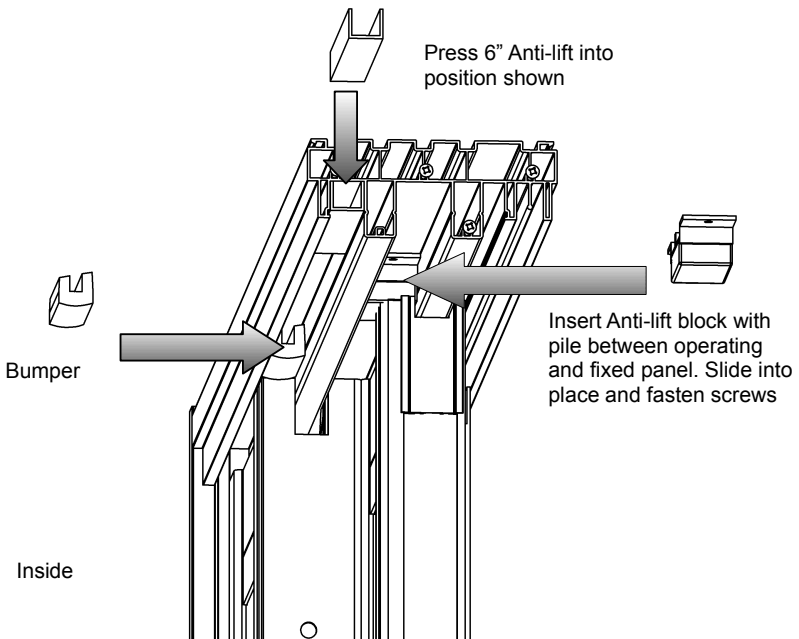
Assemble Operating Panel

Assemble the two rollers to operating panel with #8-1/2" screws. Lift and



insert panel on the operating track. Adjust height of the panel as shown.

Assemble anti-lift



Note: This assembly instruction is a basic guide for qualified and experienced installers with knowledge in securely anchoring the door to the building structure. For installations in exposed areas and buildings exceeding two storeys, the anchoring requirements must be determined by a structural engineer.

Need Help?

Contact our Technical department during normal working hours:

Phone: (416) 741-2600

Fax: (416) 741-2601

Website: www.oceanviewdoors.ca