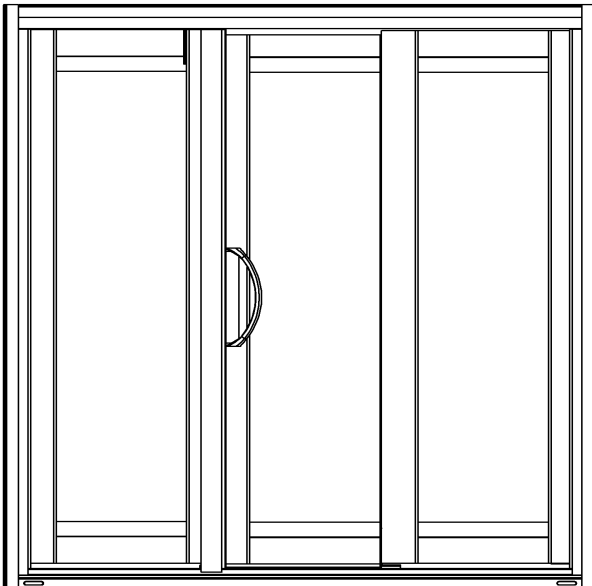
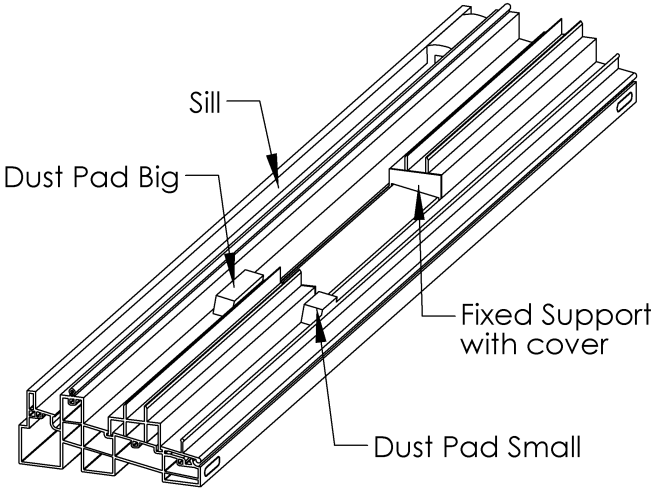




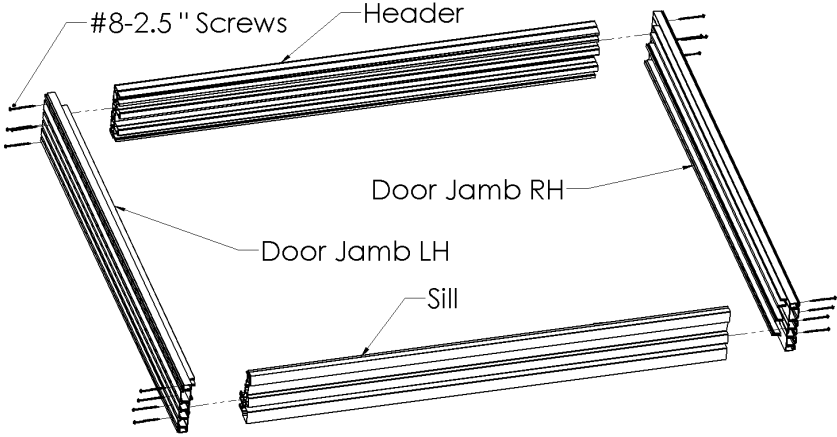
Assembly Instructions for Three Panel Patio Doors
with center operating panel
OXO/OZO
Pacific series 1000 and Atlantic series 5000



Assemble fixed supports to sill

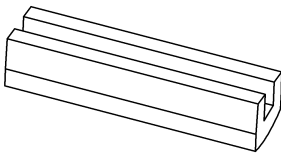
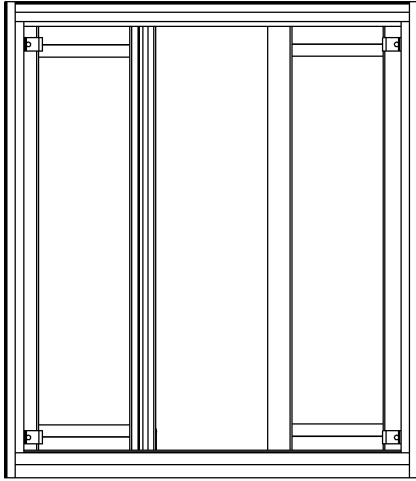


Assemble door frame

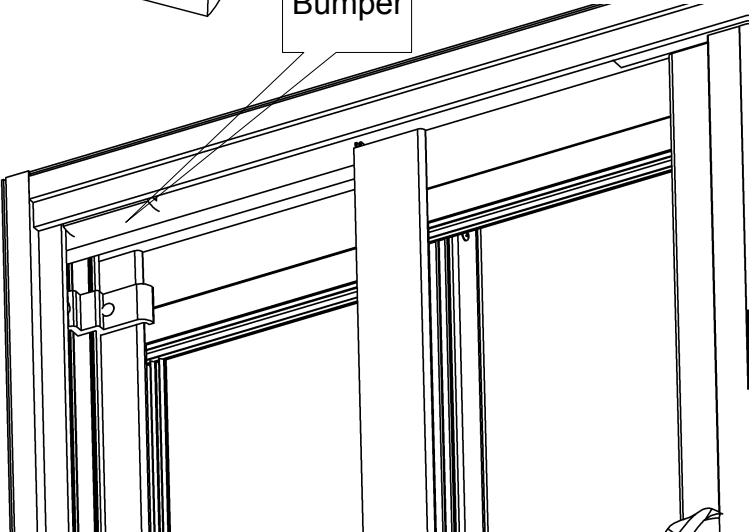


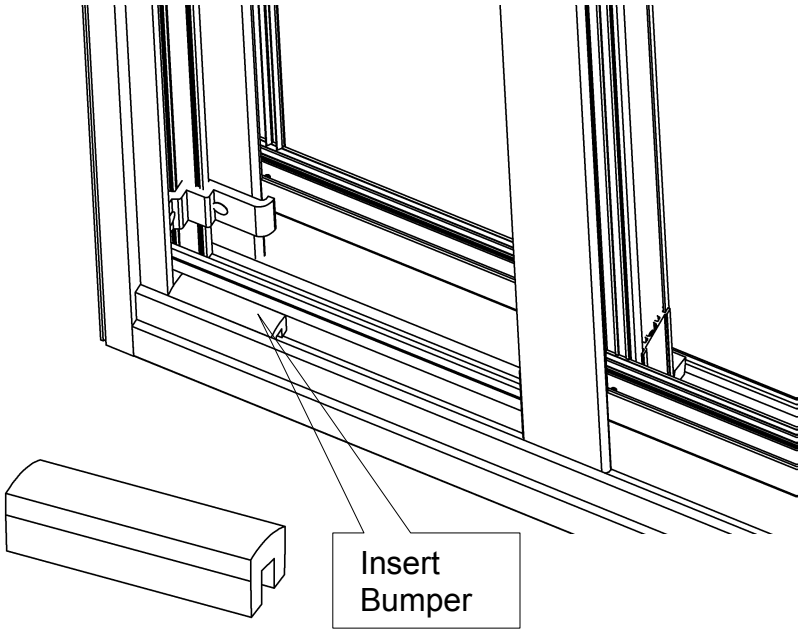
Assemble fixed panels

Insert fixed panels on fixed supports. Fix fasteners with #8 1/2 " screws to door jamb and fixed panel Cover screw heads with plugs.

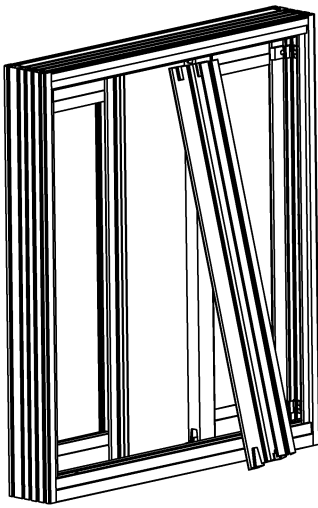


Insert
Bumper





Assemble mullion



inside

Mullion

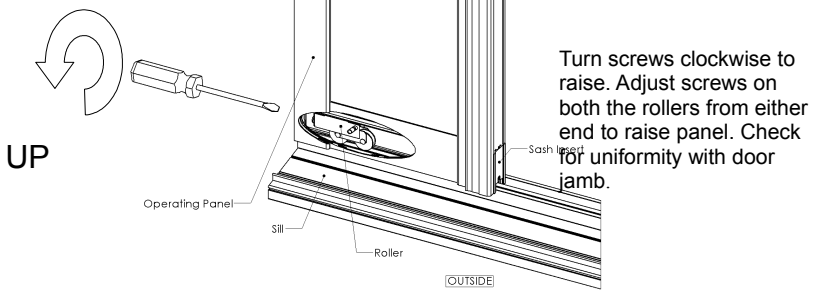


Mullion
Cover

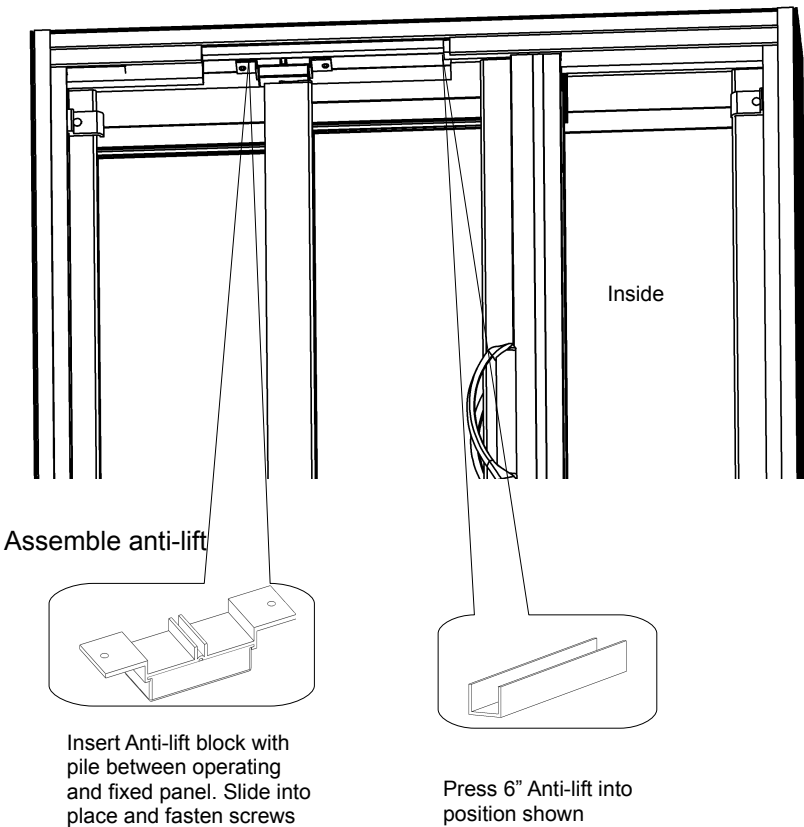
3 X #8 - 2.5" Screws

Assemble Operating Panel

Assemble the two rollers to operating panel with #8-1/2" screws. Lift and



insert panel on the operating track. Adjust height of the panel as shown below



Note: This assembly instruction is a basic guide for qualified and experienced installers with knowledge in securely anchoring the door to the building structure. For installations in exposed areas and buildings exceeding two storeys, the anchoring requirements must be determined by a structural engineer.

Need Help?

Contact our Technical department during normal working hours:

Phone: (416) 741-2600

Fax: (416) 741-2601

Website: www.oceanviewdoors.ca