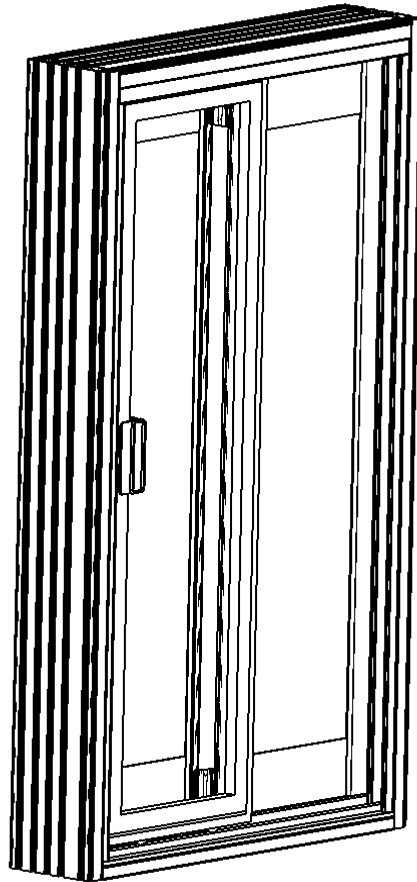
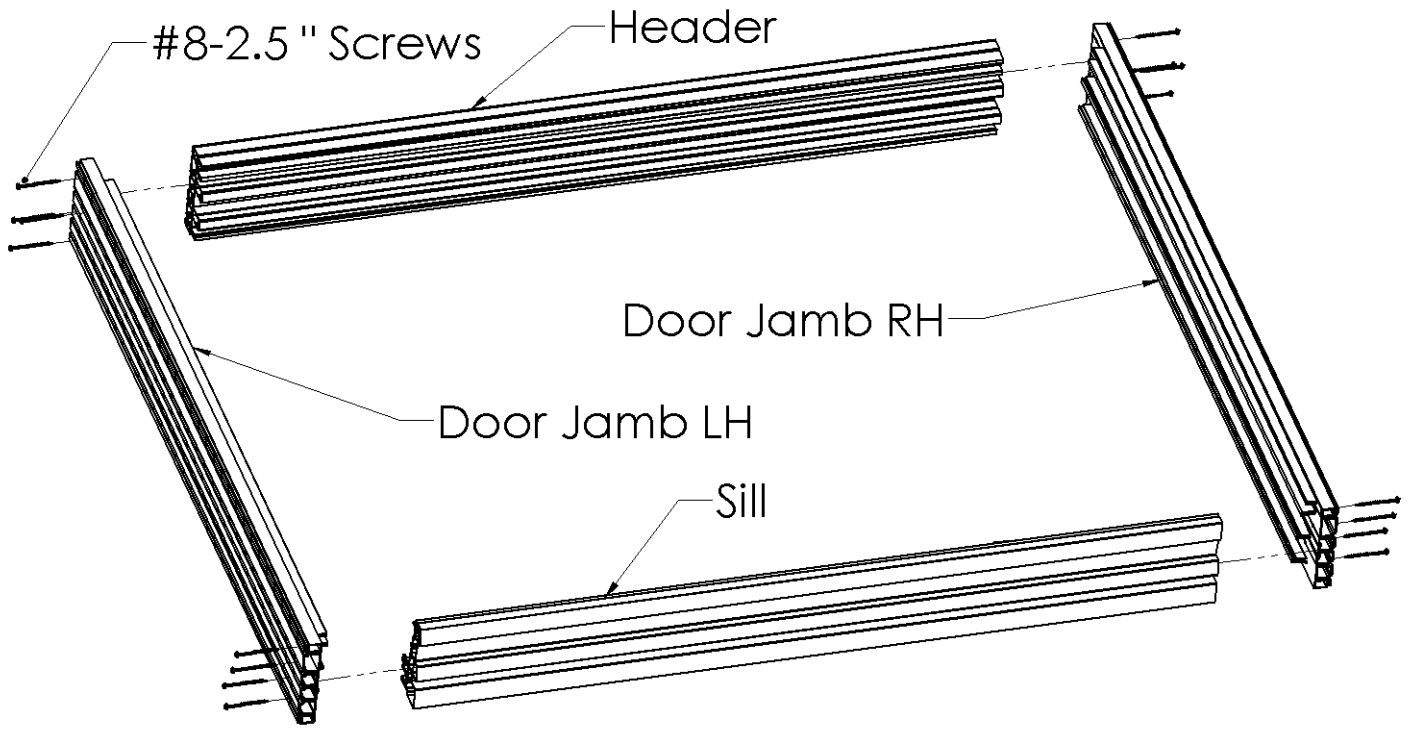




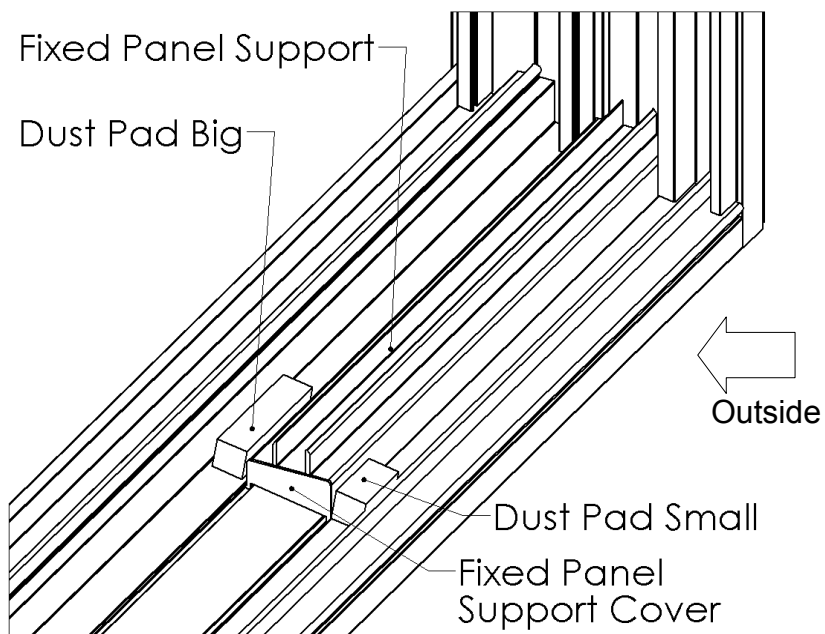
Assembly instructions for two panel patio doors
Pacific series 1000 and Atlantic series 5000
XO /OX



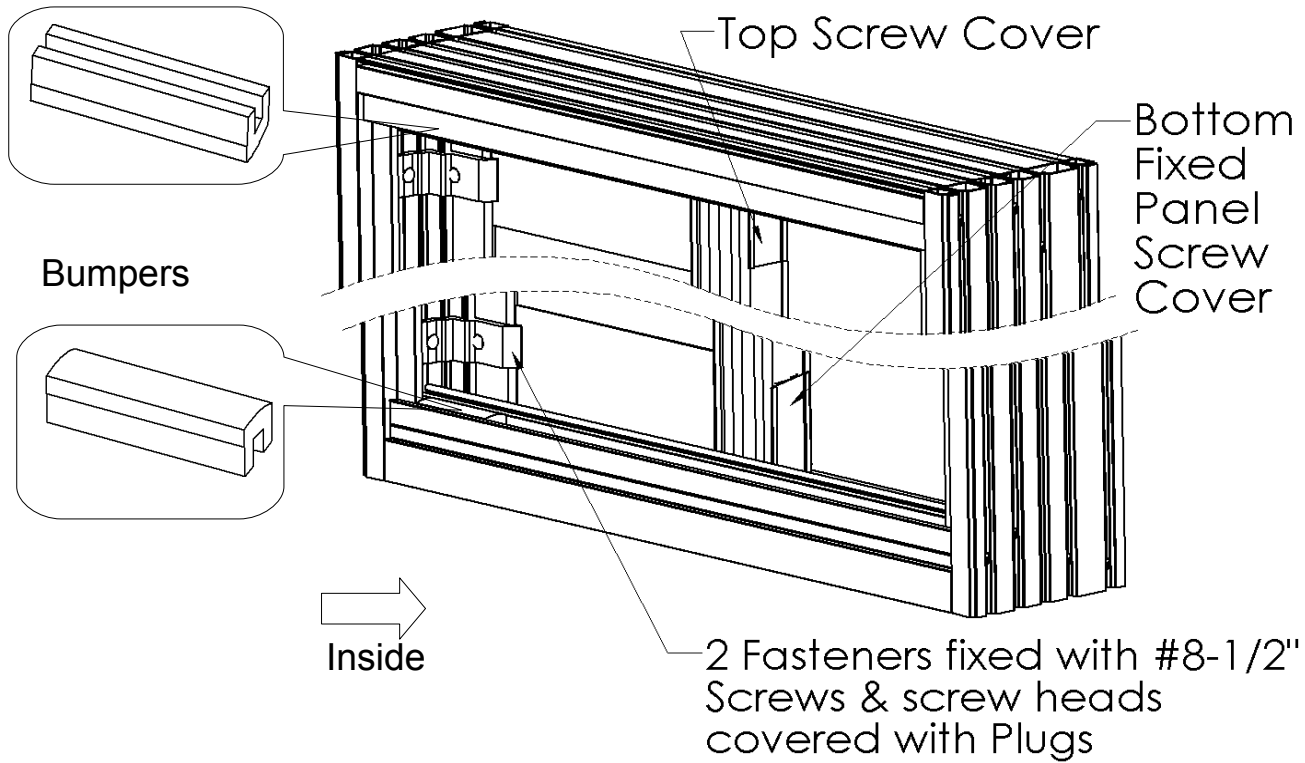
Door Frame



Fixed Panel Support and dust pads

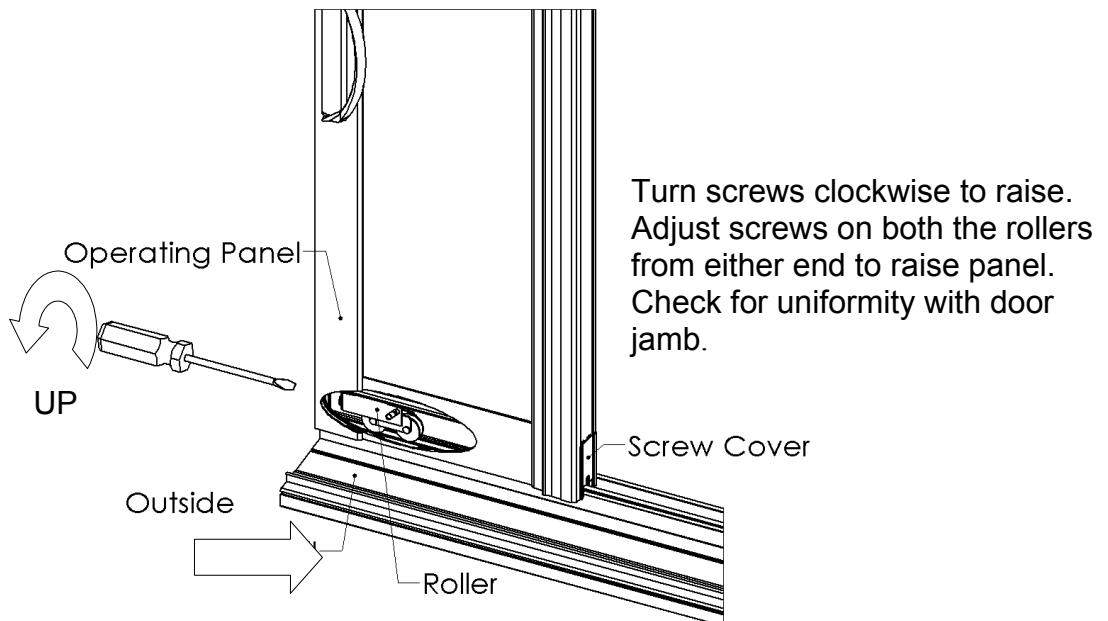


Fasteners and inserts



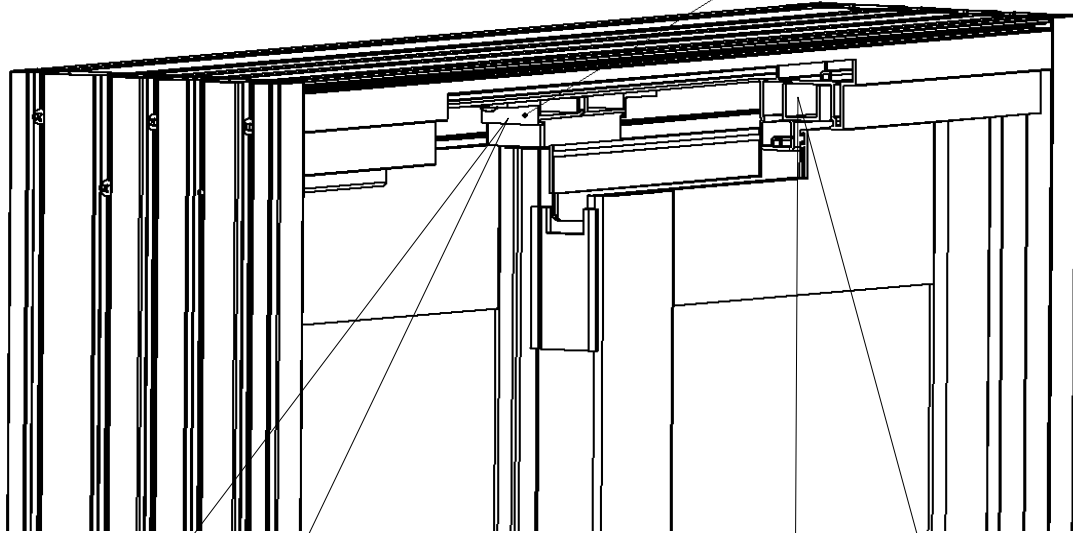
Operating Panel Assembly

Assemble the two rollers to operating panel with #8-1/2" screws. Lift and insert panel on the operating track. Adjust height of the panel as shown below

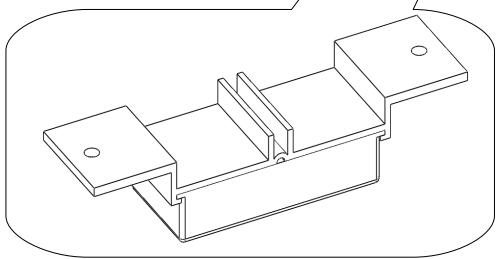


Anti-lift

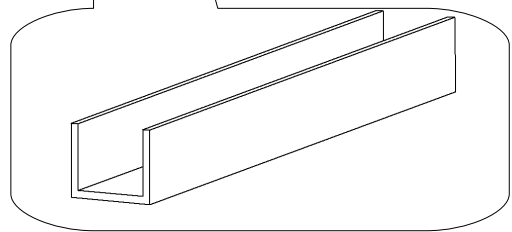
Anti-lift Block fix with 2 #8-1" Screws



←
Inside



Insert Anti-lift block with pile between operating and fixed panel. Slide into place and fasten screws



Press 6" Anti-lift into position shown

Note: This assembly instruction is a basic guide for qualified and experienced installers with knowledge in securely anchoring the door to the building structure. For installations in exposed areas and buildings exceeding two storeys, the anchoring requirements must be determined by a structural engineer.

Need Help?

Contact our Technical department during normal working hours:

Phone: (416) 741-2600

Fax: (416) 741-2601

Website: www.oceanviewdoors.ca