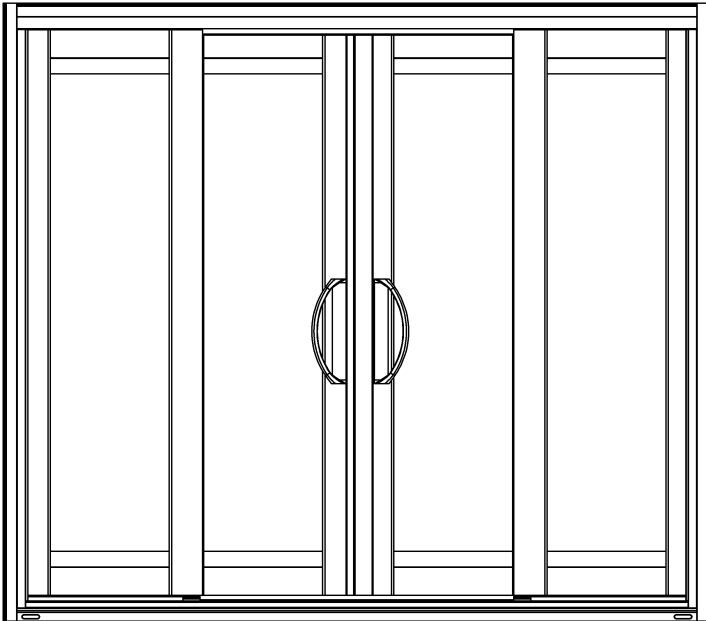
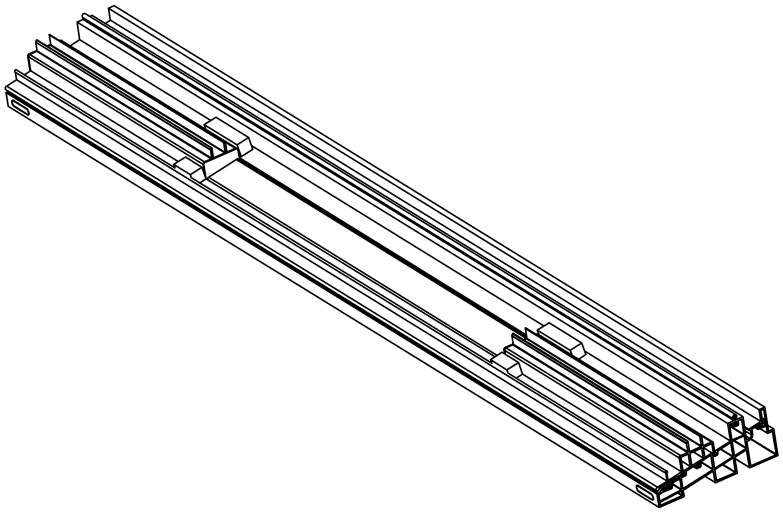




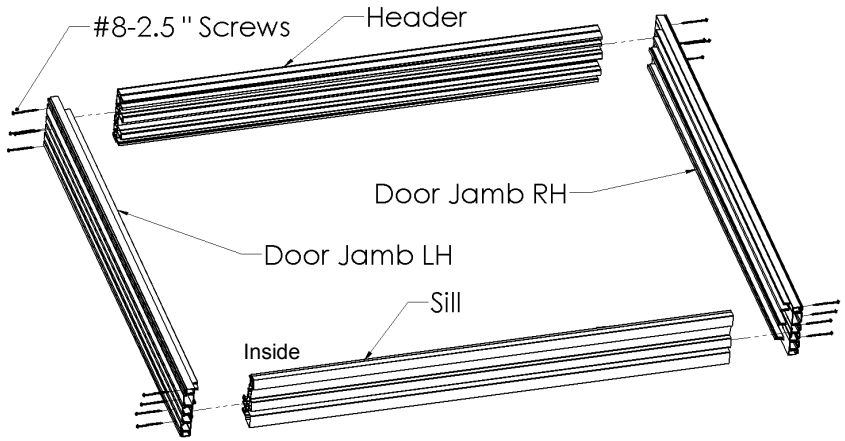
Assembly Instructions for Four Panel Patio Doors
with two center operating panels
OXXO
Pacific series 1000 and Atlantic series 5000



Assemble fixed supports to sill

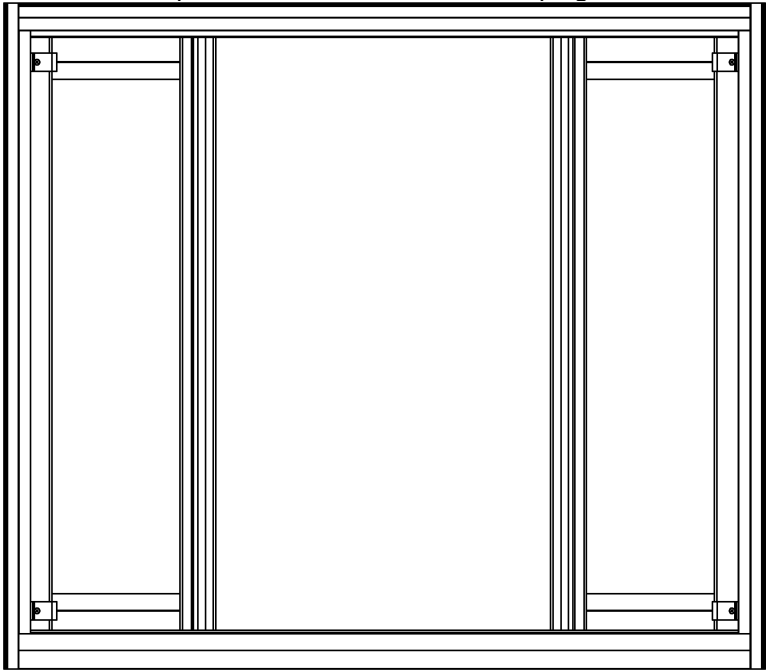


Assemble door frame

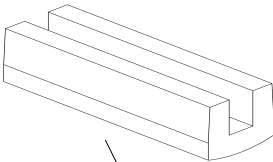


Assemble fixed panels

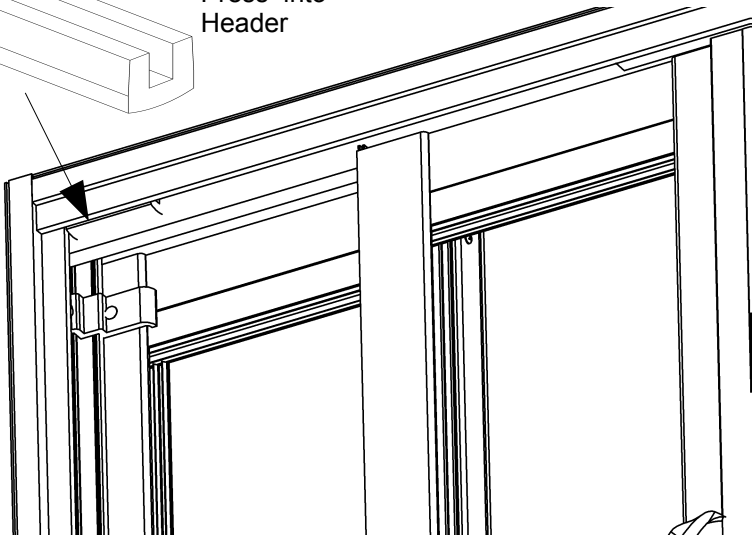
Insert fixed panels on fixed supports. Fix fasteners with #8-1" screws to door jamb and fixed panel Cover screw heads with plugs.

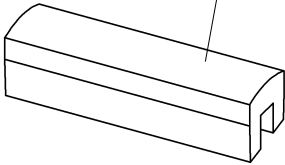


Assemble bumpers



Press into Header

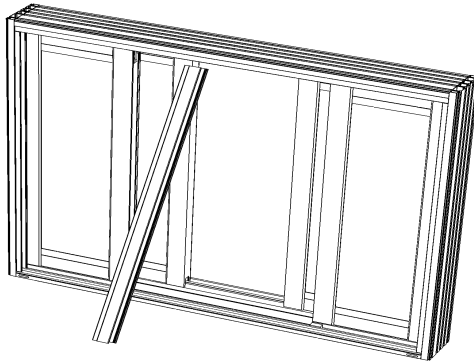




Press into
Sill

Repeat on right side.

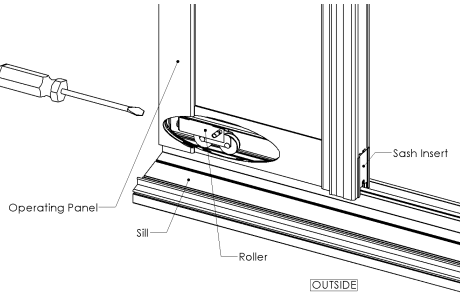
Assemble mullion



Assemble Centre Operating Panels

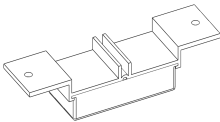


Turn screws clockwise to raise. Adjust screws on both the rollers from either end to raise panel. Check for uniformity with door jamb.



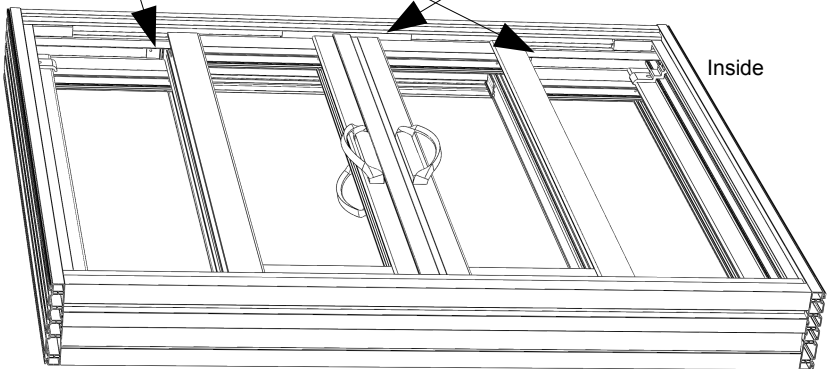
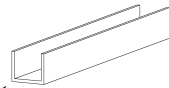
Assemble the two rollers to each operating panel with #8-1/2" screws. Lift and insert panels on the operating track. Adjust height of the panel as shown below

Assemble anti-lift



Insert Anti-lift blocks with pile between operating and fixed panel. Slide into place and fasten #8-1/2 Screws

Insert and press 12" Anti-lift into position shown



Note: This assembly instruction is a basic guide for qualified and experienced installers with knowledge in securely anchoring the door to the building structure. For installations in exposed areas and buildings exceeding two storeys, the anchoring requirements must be determined by a structural engineer.

Need Help?

Contact our Technical department during normal working hours:

Phone: (416) 741-2600

Fax: (416) 741-2601

Website: www.oceanviewdoors.ca